

输出功率: 约8~200W

碳刷马达

典型应用: 家用电器

电动玩具

电动工具

OUTPUT:APPROX 8~200W

Cabron-brush Motors

Typical Applications: Household Appliances

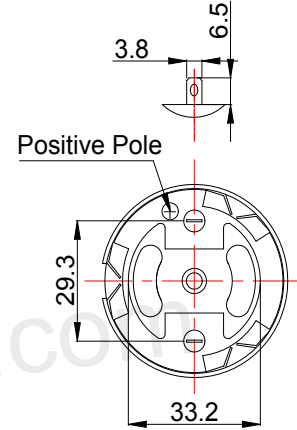
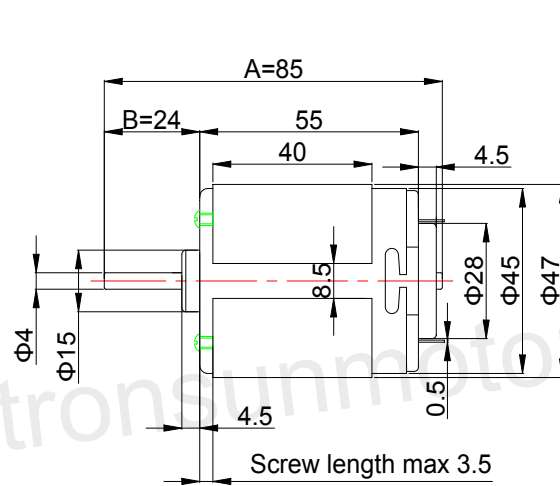
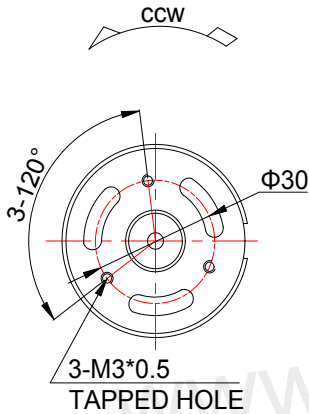
Electric Toys

Electrical Tools

## 1.OUTLINE DRAWING:

UNIT:MM

DIRECTION OF ROTATION

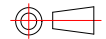


Customizable Parameters:

1. Length A and B
2. Electric Performance
3. Direction of Rotation

WEIGHT: 310g(Approx)

View:



## 2.MOTOR PERFORMANCE :

MODEL	VOLTAGE		NO LOAD		AT MAXIMUM EFFICIENCY					STALL		
	OPERATING RANGE	NOMINAL	SPEED	CURRENT	SPEED	CURRENT	TORQUE		OUTPUT	TORQUE		CURRENT
		V	rpm	A	rpm	A	g.cm	mN.m	W	g.cm	mN.m	A
RS-850PA-23248R	6.0~25.0	24.0	3300	0.125	2733	0.60	328	32.19	9.19	1908	187.24	2.90
RS-850PA-29135R	6.0~25.0	24.0	6000	0.156	5285	1.15	378	37.10	20.49	3199	313.94	8.52

